



Notice de montage | Assembly instructions | Montagehandleiding
Istruzioni di montaggio | Instrucciones de montaje | Montageanleitung

Autoportée | Lawn tractor | Gazontractor
Trattorino | Tractor de césped | Rasentraktor

FR

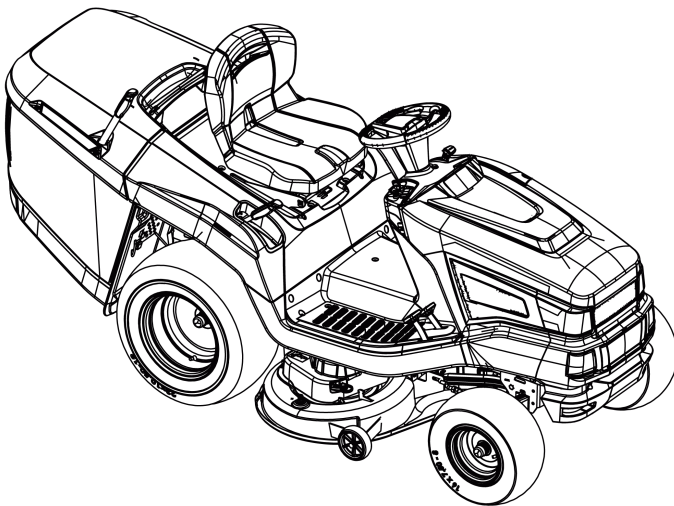
GB

NL

IT

ES

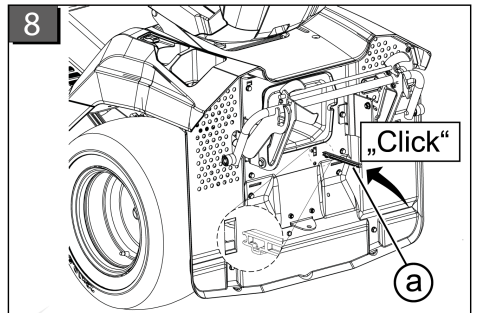
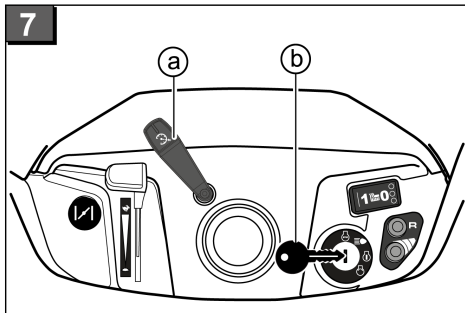
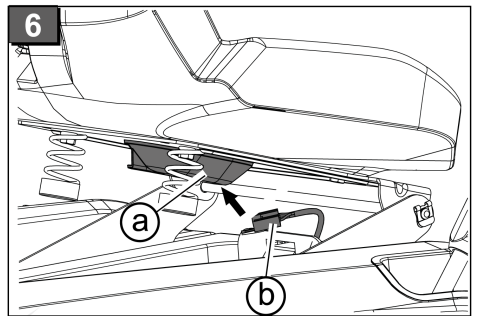
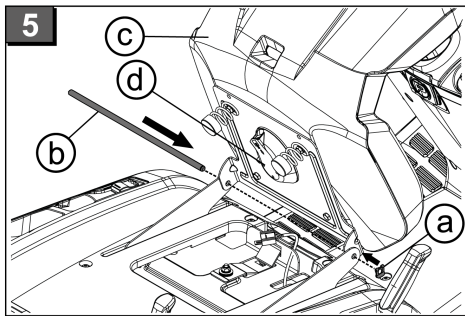
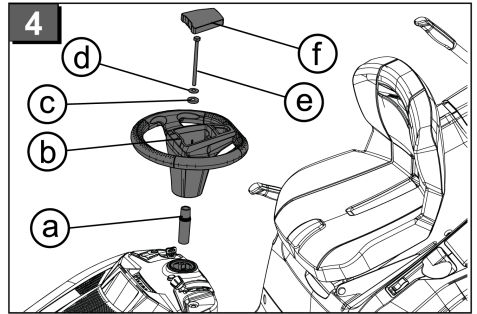
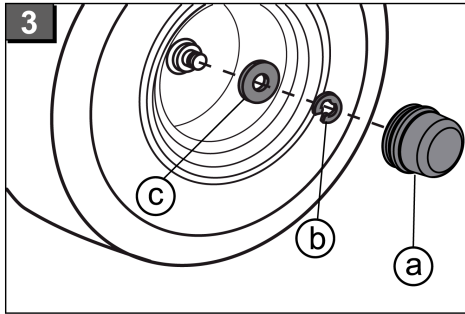
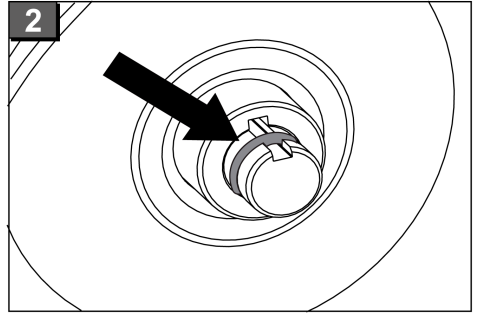
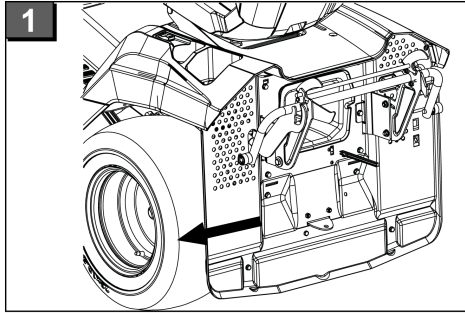
DE

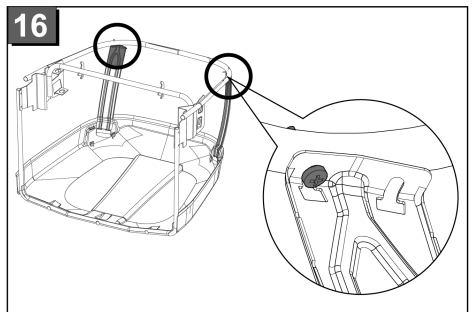
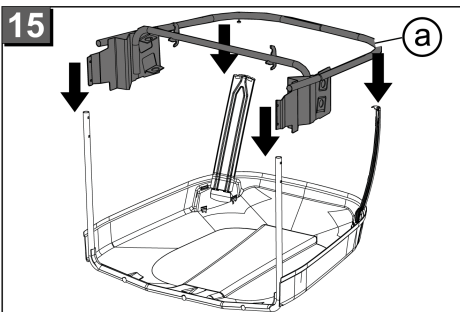
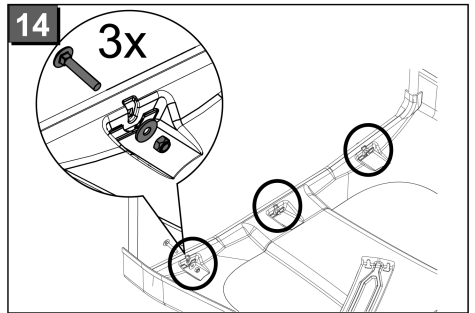
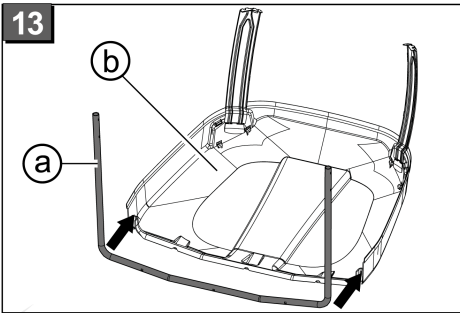
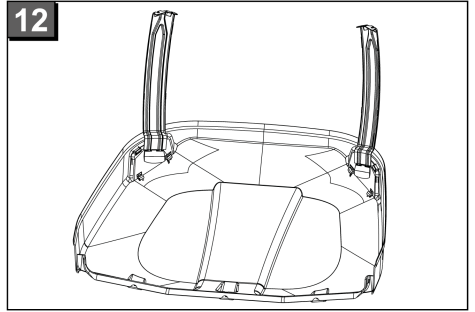
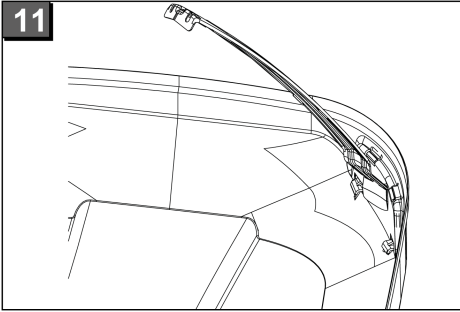
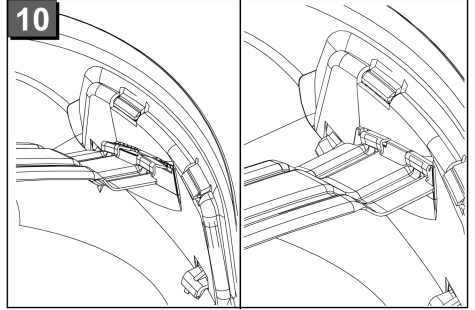
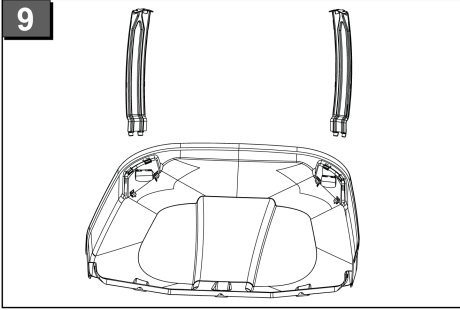


SXE213H95 | SXE218HE105
SXE222HE105 | SXE224HE125

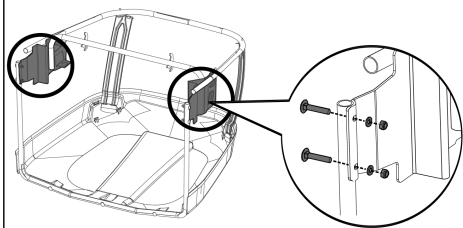


TR 066

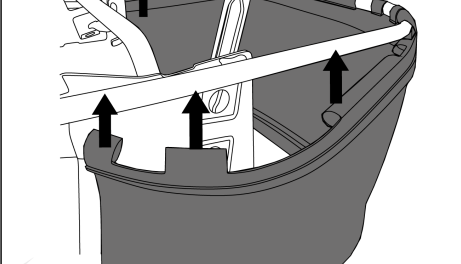




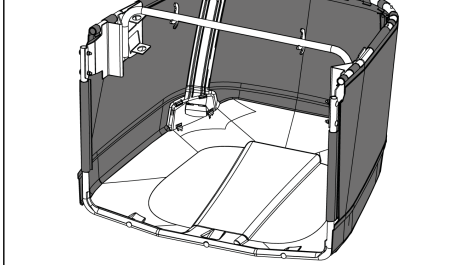
17



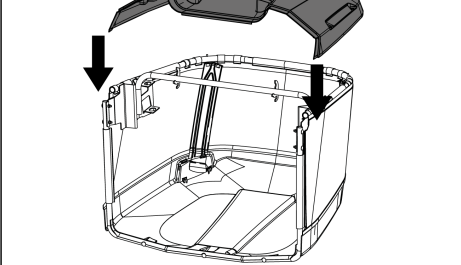
18



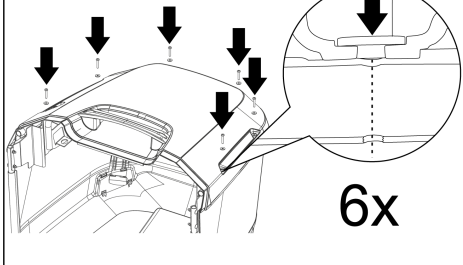
19



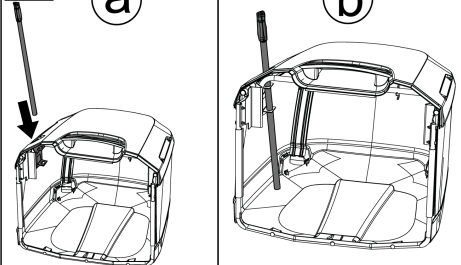
20



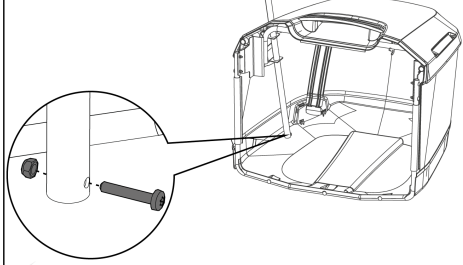
21



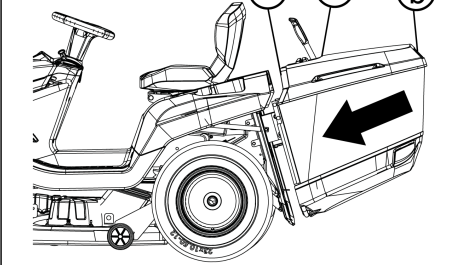
22

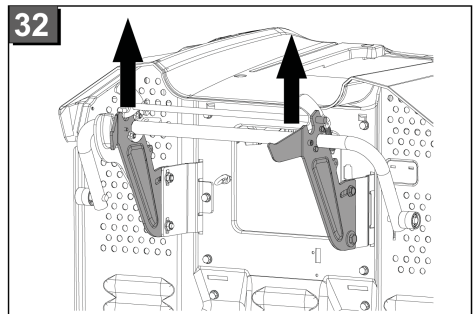
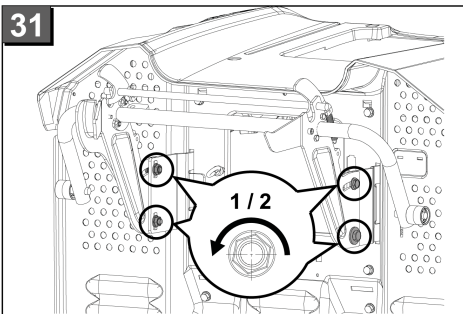
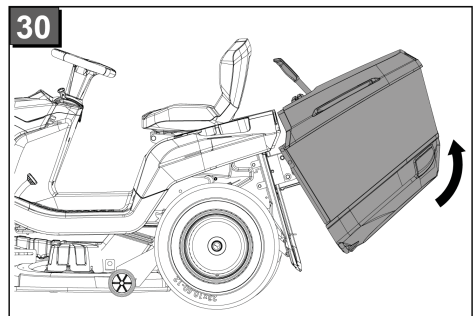
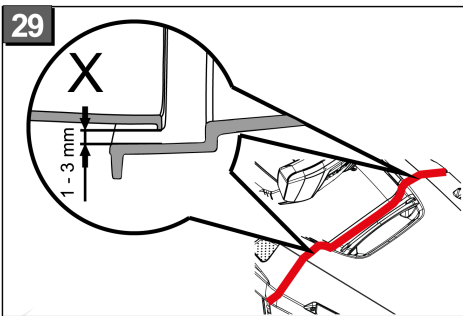
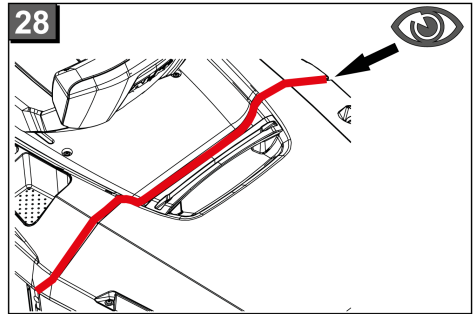
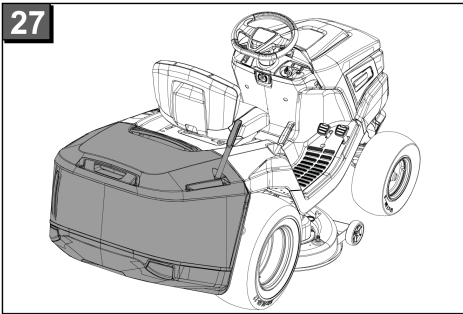
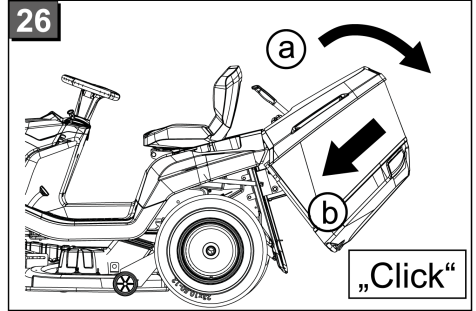
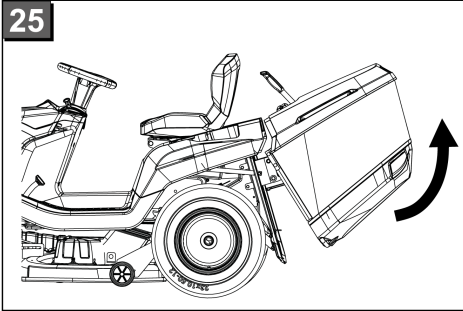


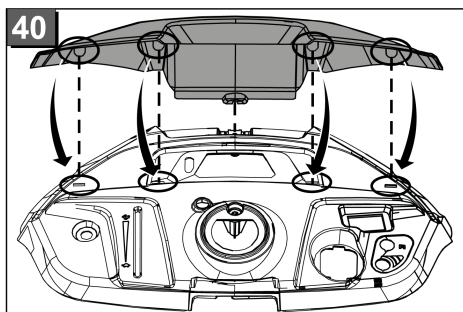
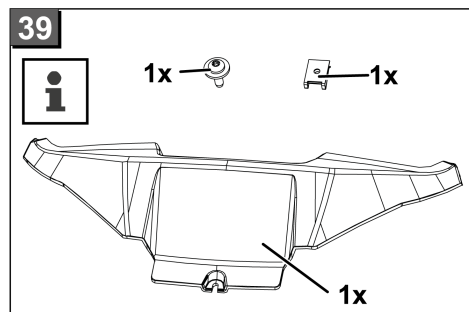
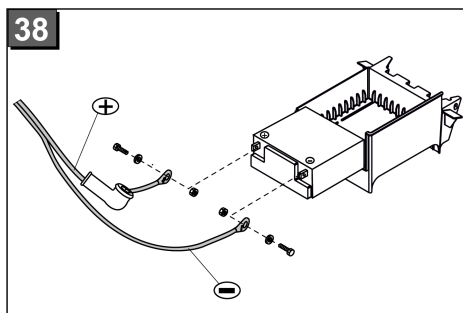
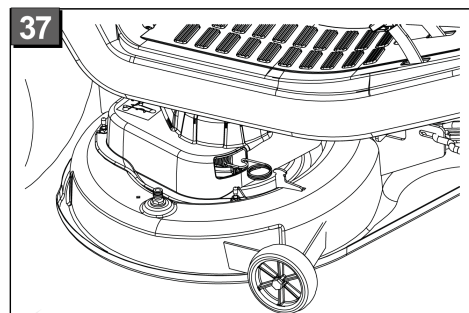
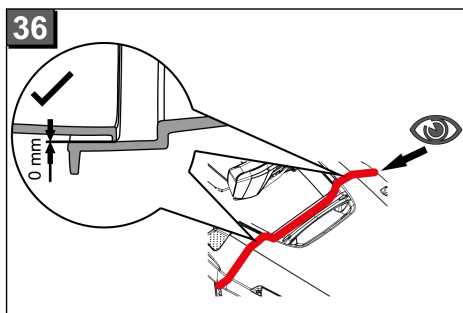
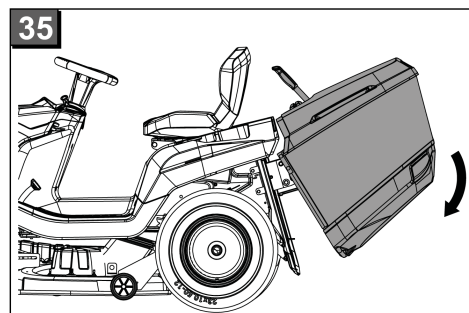
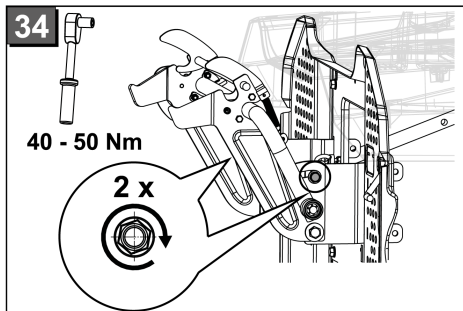
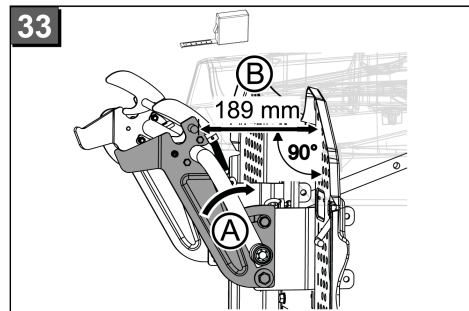
23

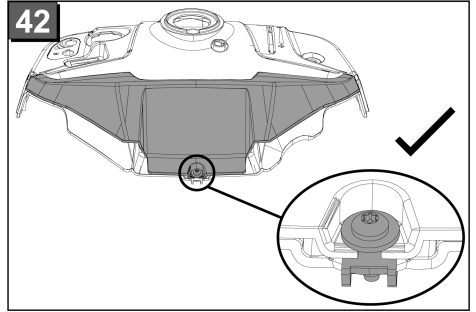
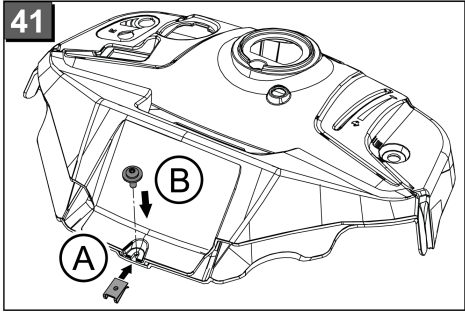


24

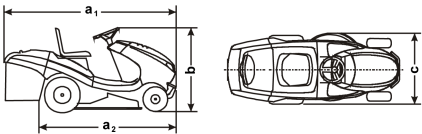








1 CARACTÉRISTIQUES TECHNIQUES

| Référence | SXE213H95 | SXE218HE105 | SXE222HE105 | SXE224HE125 | SLE118H110 |
|------------------------------|---|---|--|--|--|
| Moteur | Briggs & Stratton Powerbuild 3130 6,2 kW 2550 min ⁻¹ | Briggs & Stratton INTEK Series 4175 8,6 kW 2450 min ⁻¹ | Briggs & Stratton INTEK Series 7220 11,7 kW 2450 min ⁻¹ | Briggs & Stratton INTEK Series 8240 14,4 kW 2900 min ⁻¹ | Briggs & Stratton INTEK Series 4175 10,0 kW 2900 min ⁻¹ |
| Démarrage | Electrique | | | | |
| Batterie | 12 V / 17 Ah | | | | |
| Réservoir à essence | 8 l | | | | |
| Essence | Essence sans plomb 91 ROZ | | | | |
| Largeur de coupe | 95 cm | 105 cm | 105 cm | 125 cm | 110 cm |
| Hauteur de coupe | 30 – 90 mm (7x) | | | | |
| Le plus petit rayon à tondre | 150 cm | 140 cm | 140 cm | 140 cm | 140 cm |
| Eclairage | 12 V / 10 W | | | | |
| Vitesse d'avancement | réglable sans à coups | | | | |
| ■ Vitesses avant | 0 – 9 km/h | | 0 – 11 km/h | | 0 – 9 km/h |
| ■ Vitesses arrière | 0 – 4 km/h | | 0 – 5 km/h | | 0 – 4 km/h |
| Pneus | | | | | |
| ■ avant | 15 x 6.00-6 | 16 x 6.50-6 | 16 x 6.50-8 | 16 x 6.50-8 | 15 x 6.00-6 |
| ■ arrière | 20 x 10.00-8 | 20 x 10.00-8 | 23 x 10.50-12 | 23 x 10.50-12 | 20 x 10.00-8 |
| ■ Pression | 0,9-1,0 bar | | | | |
| Capacité du sac | 310 l | 310 l | 310 l | 310 l | – |
| Poid à vide | 247 kg | 256 kg | 279 kg | 309 kg | 230 kg |
| Dimensions |  | | | | |
| ■ a1 (avec sac) | 251 cm | 251 cm | 251 cm | 251 cm | – |
| ■ a2 (sans sac) | 210 cm | 210 cm | 210 cm | 210 cm | 194 cm |
| ■ b | 117 cm | 117 cm | 117 cm | 117 cm | 117 cm |
| ■ c | 100 cm | 110 cm | 110 cm | 130 cm | 115 cm |

| Référence | SXE213H95 | SXE218HE105 | SXE222HE105 | SXE224HE125 | SLE118H110 |
|--|---|-------------|-------------|-------------|------------|
| Mesure des vibrations (ahw)* (Vibrations de l'ensemble du corps/ Vibrations main-bras) | 2 m/s ² / 4 m/s ² K = 2 m/s ² | | | | |
| Niveau sonore sur le poste de travail (L _{PA}) selon les directives EN ISO 5395-1 / 5395-3 | 90 dB(A) K = 2 dB(A) | | | | |
| Max. niveau sonore (L _{PAd}) selon les directives DIN EN ISO 4871 | 92 dB(A) | | | | |
| Niveau sonore (L _{wAd}) selon les directives DIN EN ISO 4871 | 100 dB(A) | 100 dB(A) | 100 dB(A) | 105 dB(A) | 100 dB(A) |

*Accélération réelle pondérée à laquelle le corps est soumis. Valeur déterminée selon la norme 2006/42/EG.

2 DÉCLARATION DE CONFORMITÉ CE

Nous déclarons en unique responsabilité, par la présente de la produit, dans la version mise en circulation par nos soins, es conforme aux exigences des Normes UE harmonisées, des normes de sécurité UE et aux normes spécifiques au produit.

Produit

Autoporté

Numéro de série

1A14-045601 - 9L31-999999

Fabricant

ISEKI France S.A.S

Zac des Ribes

27 avenue des Frères Montgolfier

63170 Aubière

Plénipotentiaire

la documentation

Kazuya Tani

Zac des Ribes

27 avenue des Frères Montgolfier

63170 Aubière

Type

SXE213H95 (95 cm)

SXE218HE105 (105 cm)

SXE222HE105 (105 cm)

SXE224HE125 (125 cm)

SLE118H110 (110 cm)

SLE122H110 (110 cm)

Directives UE

2006/42/EG

2014/30/EU

2000/14/EG

Normes harmonisées

EN ISO 5395-1:2013 +A1:2018

EN ISO 5395-3:2013 +A1:2017

+A2:2018

EN ISO 14982:2009

Niveau de puissance sonore

EN ISO 3744

mesuré / garanti

SXE213H95 (95 cm)

99 / 100 dB(A)

SXE218HE105 (105 cm)

99 / 100 dB(A)

SXE222HE105 (105 cm)

99 / 100 dB(A)

SXE224HE125 (125 cm)

104 / 105 dB(A)

SLE118H110 (110 cm)

99 / 100 dB(A)

SLE122H110 (110 cm)

99 / 100 dB(A)

Evaluation

de conformité

2000/14/EG annexe VIII

Organisme notifié

(2000/14/EG)

TÜV Industrieservice GmbH

TÜV Süd Gruppe

Westendstraße 199

80686 MUENCHEN

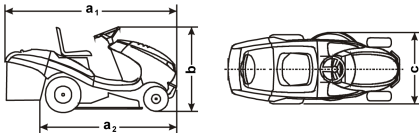
DEUTSCHLAND

Aubière, 13.12.2022



Kazuya Tani, President

1 TECHNICAL DETAILS

| Type | SXE213H95 | SXE218HE105 | SXE222HE105 | SXE224HE125 | SLE118H110 |
|---------------------------------|---|---|--|--|--|
| Engine | Briggs & Stratton Powerbuild 3130 6,2 kW 2550 min ⁻¹ | Briggs & Stratton INTEK Series 4175 8,6 kW 2450 min ⁻¹ | Briggs & Stratton INTEK Series 7220 11,7 kW 2450 min ⁻¹ | Briggs & Stratton INTEK Series 8240 14,4 kW 2900 min ⁻¹ | Briggs & Stratton INTEK Series 4175 10,0 kW 2900 min ⁻¹ |
| Engine start | Elektric start | | | | |
| Battery | 12 V / 17 Ah | | | | |
| Tank capacity | 8 l | | | | |
| Fuel | Lead-free ordinary MON 91 | | | | |
| Cutting width | 95 cm | 105 cm | 105 cm | 125 cm | 110 cm |
| Cutting height | 30 – 90 mm (7x) | | | | |
| Smallest mow circle | 150 cm | 140 cm | 140 cm | 140 cm | 140 cm |
| Lighting set | 12 V / 10 W | | | | |
| Speed | can be set continuously variable | | | | |
| ■ Forward gear | 0 – 9 km/h | | 0 – 11 km/h | | 0 – 9 km/h |
| ■ Reverse gear | 0 – 4 km/h | | 0 – 5 km/h | | 0 – 4 km/h |
| Tyres | | | | | |
| ■ front | 15 x 6.00-6 | 16 x 6.50-6 | 16 x 6.50-8 | 16 x 6.50-8 | 15 x 6.00-6 |
| ■ rear | 20 x 10.00-8 | 20 x 10.00-8 | 23 x 10.50-12 | 23 x 10.50-12 | 20 x 10.00-8 |
| ■ Tyre pressure | 0,9-1,0 bar | | | | |
| Volume of grass collection sack | 310 l | 310 l | 310 l | 310 l | – |
| Dry weight | 247 kg | 256 kg | 279 kg | 309 kg | 230 kg |
| Dimensions |  | | | | |
| ■ a1 (with grass sack) | 251 cm | 251 cm | 251 cm | 251 cm | – |
| ■ a2 (without grass sack) | 210 cm | 210 cm | 210 cm | 210 cm | 194 cm |
| ■ b | 117 cm | 117 cm | 117 cm | 117 cm | 117 cm |
| ■ c | 100 cm | 110 cm | 110 cm | 130 cm | 115 cm |

| Type | SXE213H95 | SXE218HE105 | SXE222HE105 | SXE224HE125 | SLE118H110 |
|--|---|-------------|-------------|-------------|------------|
| Vibration values (ahw)* (whole-body vibration/hand-arm vibration) | 2 m/s ² / 4 m/s ² K = 2 m/s ² | | | | |
| Sound pressure level at workplace (L _{PA}) according to guideline EN ISO 5395-1 / 5395-3 | 90 dB(A) K = 2 dB(A) | | | | |
| Max. Sound pressure level (L _{PA,d}) according to guideline DIN EN ISO 4871 | 92 dB(A) | | | | |
| Sound power level (L _{wAd}) according to guideline DIN EN ISO 4871 | 100 dB(A) | 100 dB(A) | 100 dB(A) | 105 dB(A) | 100 dB(A) |

*Weight effective value of acceleration which the body is exposed to. The values were determined according to draft European standard 2006/42/EG.

2 EC DECLARATION OF CONFORMITY

We hereby declare in sole responsibility that this product, in the form in which it is marketed, meets the requirements of the harmonised EU guidelines, EU safety standards, and the product-specific standards.

Product

Lawn tractor

Manufacturer

ISEKI France S.A.S
Zac des Ribes
27 avenue des Frères Montgolfier
63170 Aubière

Representative of documentation

Kazuya Tani
Zac des Ribes
27 avenue des Frères Montgolfier
63170 Aubière

Serial number

1A14-045601 - 9L31-999999

Model

SXE213H95 (95 cm)
SXE218HE105 (105 cm)
SXE222HE105 (105 cm)
SXE224HE125 (125 cm)
SLE118H110 (110 cm)
SLE122H110 (110 cm)

EU directives

2006/42/EG
2014/30/EU
2000/14/EG

Harmonised standards

EN ISO 5395-1:2013 +A1:2018
EN ISO 5395-3:2013 +A1:2017
+A2:2018
EN ISO 14982:2009

Sound power level

EN ISO 3744

measured / guaranteed
SXE213H95 (95 cm)
99 / 100 dB(A)
SXE218HE105 (105 cm)
99 / 100 dB(A)
SXE222HE105 (105 cm)
99 / 100 dB(A)
SXE224HE125 (125 cm)
104 / 105 dB(A)
SLE118H110 (110 cm)
99 / 100 dB(A)
SLE122H110 (110 cm)
99 / 100 dB(A)

Conformity evaluation

2000 /14/EG
Appendix VIII

Notified body (2000/14/EG)

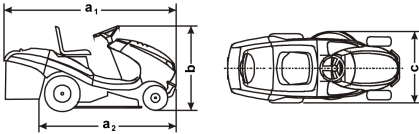
TÜV Industrieservice GmbH
TÜV Süd Gruppe
Westendstraße 199
80686 MUENCHEN
DEUTSCHLAND

Aubière, 13.12.2022



Kazuya Tani, President

1 TECHNISCHE GEGEVENS

| Type | SXE213H95 | SXE218HE105 | SXE222HE105 | SXE224HE125 | SLE118H110 |
|-------------------------------------|---|---|--|--|--|
| Motor | Briggs & Stratton Powerbuild 3130 6,2 kW 2550 min ⁻¹ | Briggs & Stratton INTEK Series 4175 8,6 kW 2450 min ⁻¹ | Briggs & Stratton INTEK Series 7220 11,7 kW 2450 min ⁻¹ | Briggs & Stratton INTEK Series 8240 14,4 kW 2900 min ⁻¹ | Briggs & Stratton INTEK Series 4175 10,0 kW 2900 min ⁻¹ |
| Starten van de Motor | Elektrisch | | | | |
| Batterij | 12 V / 17 Ah | | | | |
| Tankinhoud | 8 l | | | | |
| Benzine | Loodvrije gewone benzine MOZ 91 | | | | |
| Maai breedte | 95 cm | 105 cm | 105 cm | 125 cm | 110 cm |
| Maai hoogte | 30 – 90 mm (7x) | | | | |
| Draaicirkel | 150 cm | 140 cm | 140 cm | 140 cm | 140 cm |
| Verlichting | 12 V / 10 W | | | | |
| Snelheid | continu verstelbaar | | | | |
| ■ Versnellig om vooruite te rijden | 0 – 9 km/h | | 0 – 11 km/h | | 0 – 9 km/h |
| ■ Versnellig om achteruit te rijden | 0 – 4 km/h | | 0 – 5 km/h | | 0 – 4 km/h |
| Luchtbanden | | | | | |
| ■ vooraan | 15 x 6.00-6 | 16 x 6.50-6 | 16 x 6.50-8 | 16 x 6.50-8 | 15 x 6.00-6 |
| ■ achteraan | 20 x 10.00-8 | 20 x 10.00-8 | 23 x 10.50-12 | 23 x 10.50-12 | 20 x 10.00-8 |
| ■ Luchtdruk | 0,9-1,0 bar | | | | |
| Volume van de grasopvangzak | 310 l | 310 l | 310 l | 310 l | – |
| Droog gewicht | 247 kg | 256 kg | 279 kg | 309 kg | 230 kg |
| Afmetingen |  | | | | |
| ■ a1 (met grasopvangzak) | 251 cm | 251 cm | 251 cm | 251 cm | – |

| Type | SXE213H95 | SXE218HE105 | SXE222HE105 | SXE224HE125 | SLE118H110 |
|--|---|-------------|-------------|-------------|------------|
| ■ a2 (zonder grasopvangzak) | 210 cm | 210 cm | 210 cm | 210 cm | 194 cm |
| ■ b | 117 cm | 117 cm | 117 cm | 117 cm | 117 cm |
| ■ c | 100 cm | 110 cm | 110 cm | 130 cm | 115 cm |
| Trillingswaarde (ahw)* (Lichaams-trillingen/Hand-armtrillingen) | 2 m/s ² / 4 m/s ² K = 2 m/s ² | | | | |
| Geluidsniveau op werkplek (L _{PA}) overeenkomstig Richtlijn EN ISO 5395-1 / 5395-3 | 90 dB(A) K = 2 dB(A) | | | | |
| Max. Geluidsniveau (L _{PAd}) overeenkomstig Richtlijn DIN EN ISO 4871 | 92 dB(A) | | | | |
| Geluidsvermogen (L _{wAd}) overeenkomstig Richtlijn DIN EN ISO 4871 | 100 dB(A) | 100 dB(A) | 100 dB(A) | 105 dB(A) | 100 dB(A) |

*Geschatte effectieve waarde van de acceleratie waaraan het lichaam blootgesteld wordt. De waarden werden volgens ontwerp 2006/42/EG berekend.

2 EG-CONFORMITEITSVERKLARING

Hiermee verklaren wij onder eigen verantwoordelijkheid, dat dit product, in de door ons in het verkeer gebrachte uitvoering, voldoet aan de eisen van de geharmoniseerde EU-richtlijnen, EU-veiligheidsnormen en de productspecifieke normen.

Product

Gazon tractor

Fabrikant

ISEKI France S.A.S

Gevolmachtigde van documenten

Kazuya Tani
Zac des Ribes
27 avenue des Frères Montgolfier
63170 Aubière

Serienummer

1A14-045601 - 9L31-999999

Zac des Ribes

27 avenue des Frères Montgolfier

63170 Aubière

Type

SXE213H95 (95 cm)

SXE218HE105 (105 cm)

SXE222HE105 (105 cm)

SXE224HE125 (125 cm)

SLE118H110 (110 cm)

SLE122H110 (110 cm)

EU-richtlijnen

2006/42/EG

2014/30/EU

2000/14/EG

Geharmoniseerde normen

EN ISO 5395-1:2013 +A1:2018

EN ISO 5395-3:2013 +A1:2017

+A2:2018

EN ISO 14982:2009

Geluidsniveau**EN ISO 3744**

gemeten / gegarandeerd

SXE213H95 (95 cm)

99 / 100 dB(A)

SXE218HE105 (105 cm)

99 / 100 dB(A)

SXE222HE105 (105 cm)

99 / 100 dB(A)

SXE224HE125 (125 cm)

104 / 105 dB(A) SLE118H110

(110 cm)

99 / 100 dB(A) SLE122H110

(110 cm)

99 / 100 dB(A)

Conformiteitsbeoordeling

2000 /14/EG

bijlage VIII

Aangemelde instantie (2000/14/EG)

TÜV Industrieservice GmbH

TÜV Süd Gruppe

Westendstraße 199

80686 MUENCHEN

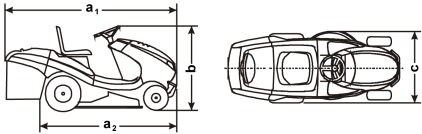
DEUTSCHLAND

Aubière, 13.12.2022



Kazuya Tani, President

1 DATI TECNICI

| Modello | SXE213H95 | SXE218HE105 | SXE222HE105 | SXE224HE125 | SLE118H110 |
|------------------------------|---|---|--|--|--|
| Motore | Briggs & Stratton Powerbuild 3130 6,2 kW 2550 min ⁻¹ | Briggs & Stratton INTEK Series 4175 8,6 kW 2450 min ⁻¹ | Briggs & Stratton INTEK Series 7220 11,7 kW 2450 min ⁻¹ | Briggs & Stratton INTEK Series 8240 14,4 kW 2900 min ⁻¹ | Briggs & Stratton INTEK Series 4175 10,0 kW 2900 min ⁻¹ |
| Avviamento | Elettrico | | | | |
| Batteria di avviamento | 12 V / 17 Ah | | | | |
| Contenuto serbatoio | 8 l | | | | |
| Carburante | Benzina normale 91 RON, senza piombo | | | | |
| Larghezza di taglio | 95 cm | 105 cm | 105 cm | 125 cm | 110 cm |
| Altezza di taglio | 30 – 90 mm (7x) | | | | |
| Raggio di curvatura | 150 cm | 140 cm | 140 cm | 140 cm | 140 cm |
| Illuminazione | 12 V / 10 W | | | | |
| Velocità | Velocità variabile in continuo | | | | |
| ■ Marcia avanti | 0 – 9 km/h | | 0 – 11 km/h | | 0 – 9 km/h |
| ■ Retromarcia | 0 – 4 km/h | | 0 – 5 km/h | | 0 – 4 km/h |
| Pneumatici | | | | | |
| ■ anteriori | 15 x 6.00-6 | 16 x 6.50-6 | 16 x 6.50-8 | 16 x 6.50-8 | 15 x 6.00-6 |
| ■ posteriore | 20 x 10.00-8 | 20 x 10.00-8 | 23 x 10.50-12 | 23 x 10.50-12 | 20 x 10.00-8 |
| ■ Pressione dei pneumatici | 0,9-1,0 bar | | | | |
| Volume del sacco raccogliere | 310 l | 310 l | 310 l | 310 l | – |
| Peso a secco | 247 kg | 256 kg | 279 kg | 309 kg | 230 kg |
| Dimensioni |  | | | | |
| ■ a1 (con sacco raccogliere) | 251 cm | 251 cm | 251 cm | 251 cm | – |

| Modello | SXE213H95 | SXE218HE105 | SXE222HE105 | SXE224HE125 | SLE118H110 |
|---|---|-------------|-------------|-------------|------------|
| ■ a2 (senza sacco raccogliere) | 210 cm | 210 cm | 210 cm | 210 cm | 194 cm |
| ■ b | 117 cm | 117 cm | 117 cm | 117 cm | 117 cm |
| ■ c | 100 cm | 110 cm | 110 cm | 130 cm | 115 cm |
| Valori di oscillazione (ahw)* (vibrazione di tutto il corpo/Vibrazioni al sistema manobraccio) | 2 m/s ² / 4 m/s ² K = 2 m/s ² | | | | |
| Livello di potenza sonora sul posto di lavoro (L _{PA}) misurato secondo le direttive EN ISO 5395-1 / 5395-3 | 90 dB(A) K = 2 dB(A) | | | | |
| Max. livello acustico (L _{PAc}) misurato secondo le direttive DIN EN ISO 4871 | 92 dB(A) | | | | |
| Potenza acustica (L _{wAc}) misurato secondo le direttive DIN EN ISO 4871 | 100 dB(A) | 100 dB(A) | 100 dB(A) | 105 dB(A) | 100 dB(A) |

*Valore effettivo ponderato dell' accelerazione al quale è esposto il corpo. I valori sono stati determinati mediante la bozza 2006/42/EG.

2 DICHIARAZIONE DI CONFORMITÀ CE

Con la presente si dichiara in esclusiva responsabilità, che il presente prodotto, nella versione da noi messa in commercio, è conforme ai requisiti delle direttive UEO armonizzate, degli standard di sicurezza UEO e gli standard specifici del prodotto.

Prodotto

Trattorino

Numero di serie

1A14-045601 - 9L31-999999

Costruttore

ISEKI France S.A.S

Zac des Ribes
27 avenue des Frères Montgolfier
63170 Aubière

Delegato della documentazione

Kazuya Tani
Zac des Ribes
27 avenue des Frères Montgolfier
63170 Aubière

Tipo

SXE213H95 (95 cm)
SXE218HE105 (105 cm)
SXE222HE105 (105 cm)
SXE224HE125 (125 cm)
SLE118H110 (110 cm)
SLE122H110 (110 cm)

Direttive UE

2006/42/EG
2014/30/EU
2000/14/EG

Norme armonizzate

EN ISO 5395-1:2013 +A1:2018
EN ISO 5395-3:2013 +A1:2017
+A2:2018
EN ISO 14982:2009

Livello di potenza acustica EN ISO 3744

misurato / garantito
SXE213H95 (95 cm)
99 / 100 dB(A)
SXE218HE105 (105 cm)
99 / 100 dB(A)
SXE222HE105 (105 cm)
99 / 100 dB(A)
SXE224HE125 (125 cm)
104 / 105 dB(A)
SLE118H110 (110 cm)
99 / 100 dB(A)
SLE122H110 (110 cm)
99 / 100 dB(A)

Valutazione di conformità

2000 /14/EG
Appendice VIII

Organismo accreditato (2000/14/EG)

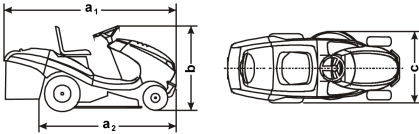
TÜV Industrieservice GmbH
TÜV Süd Gruppe
Westendstraße 199
80686 MUENCHEN
DEUTSCHLAND

Aubière, 13.12.2022



Kazuya Tani, President

1 DATOS TECNICOS

| Modelo | SXE213H95 | SXE218HE105 | SXE222HE105 | SXE224HE125 | SLE118H110 |
|--------------------------|---|---|--|--|--|
| Motor | Briggs & Stratton Powerbuild 3130 6,2 kW 2550 min ⁻¹ | Briggs & Stratton INTEK Series 4175 8,6 kW 2450 min ⁻¹ | Briggs & Stratton INTEK Series 7220 11,7 kW 2450 min ⁻¹ | Briggs & Stratton INTEK Series 8240 14,4 kW 2900 min ⁻¹ | Briggs & Stratton INTEK Series 4175 10,0 kW 2900 min ⁻¹ |
| Arranque | Arranque eléctrico | | | | |
| Batería | 12 V / 17 Ah | | | | |
| Contenido depósito | 8 l | | | | |
| Gasolina | Gasolina normal sin plomo 91 RON | | | | |
| Anchura de corte | 95 cm | 105 cm | 105 cm | 125 cm | 110 cm |
| Altura de corte | 30 – 90 mm (7x) | | | | |
| Círculo pequeño de corte | 150 cm | 140 cm | 140 cm | 140 cm | 140 cm |
| Iluminación | 12 V / 10 W | | | | |
| Velocidad | regulación continua | | | | |
| ■ Marcha hacia adelante | 0 – 9 km/h | | 0 – 11 km/h | | 0 – 9 km/h |
| ■ Marcha hacia atrás | 0 – 4 km/h | | 0 – 5 km/h | | 0 – 4 km/h |
| Neumáticos | | | | | |
| ■ delanteros | 15 x 6.00-6 | 16 x 6.50-6 | 16 x 6.50-8 | 16 x 6.50-8 | 15 x 6.00-6 |
| ■ traseros | 20 x 10.00-8 | 20 x 10.00-8 | 23 x 10.50-12 | 23 x 10.50-12 | 20 x 10.00-8 |
| ■ Presión de aire | 0,9-1,0 bar | | | | |
| Volumen recogedor | 310 l | 310 l | 310 l | 310 l | – |
| Peso en seco | 247 kg | 256 kg | 279 kg | 309 kg | 230 kg |
| Dimensiones |  | | | | |
| ■ a1 (con recogedor) | 251 cm | 251 cm | 251 cm | 251 cm | – |
| ■ a2 (sin recogedor) | 210 cm | 210 cm | 210 cm | 210 cm | 194 cm |

| Modelo | SXE213H95 | SXE218HE105 | SXE222HE105 | SXE224HE125 | SLE118H110 |
|--|---|-------------|-------------|-------------|------------|
| ■ b | 117 cm | 117 cm | 117 cm | 117 cm | 117 cm |
| ■ c | 100 cm | 110 cm | 110 cm | 130 cm | 115 cm |
| Valores de oscilación (ahw)* (vibraciones sobre el cuerpo entero/vibración mano-brazo) | 2 m/s ² / 4 m/s ² K = 2 m/s ² | | | | |
| Nivel de presión acústica en el puesto de trabajo (L _{PA}) según la directiva EN ISO 5395-1 / 5395-3 | 90 dB(A) K = 2 dB(A) | | | | |
| Máx. nivel de intensidad sonora (L _{PAd}) según la directiva DIN EN ISO 4871 | 92 dB(A) | | | | |
| Nivel de potencia acústica (L _{WAd}) según la directiva DIN EN ISO 4871 | 100 dB(A) | 100 dB(A) | 100 dB(A) | 105 dB(A) | 100 dB(A) |

*Valor efectivo medio de la aceleración, a la que está sometido el cuerpo. Los valores han sido calculados según el diseño 2006/42/EG.

2 DECLARACIÓN DE CONFORMIDAD CE

Por la presente declaramos, bajo nuestra exclusiva responsabilidad, que este producto, en la versión que hemos comercializado, cumple los requisitos de las directivas europeas armonizadas, los estándares europeos de seguridad y los estándares especificados del producto.

Producto

Tractor de césped

Fabricante

ISEKI France S.A.S

Representante

de documentación

Número de serie

1A14-045601 - 9L31-999999

Zac des Ribes

27 avenue des Frères Montgolfier

63170 Aubière

Kazuya Tani

Zac des Ribes

27 avenue des Frères Montgolfier

63170 Aubière

Modelo

SXE213H95 (95 cm)

SXE218HE105 (105 cm)

SXE222HE105 (105 cm)

SXE224HE125 (125 cm)

SLE118H110 (110 cm)

SLE122H110 (110 cm)

Directivas CE

2006/42/EG

2014/30/EU

2000/14/EG

Normas armonizadas

EN ISO 5395-1:2013 +A1:2018

EN ISO 5395-3:2013 +A1:2017

+A2:2018

EN ISO 14982:2009

Nivel de potencia sonora**EN ISO 3744**

medido /garantizado

SXE213H95 (95 cm)

99 / 100 dB(A)

SXE218HE105 (105 cm)

99 / 100 dB(A)

SXE222HE105 (105 cm)

99 / 100 dB(A)

SXE224HE125 (125 cm)

104 / 105 dB(A)

SLE118H110 (110 cm)

99 / 100 dB(A)

SLE122H110 (110 cm)

99 / 100 dB(A)

Evaluación**de conformidad**

2000/14/EG Anexo VIII

Organismo acreditado

(2000/14/EG)

TÜV Industrieservice GmbH

TÜV Süd Gruppe

Westendstraße 199

80686 MUENCHEN

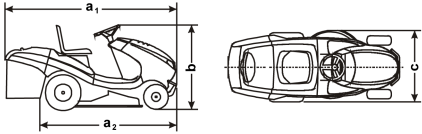
DEUTSCHLAND

Aubière, 13.12.2022



Kazuya Tani, President

1 TECHNISCHE DATEN

| Typ | SXE213H95 | SXE218HE105 | SXE222HE105 | SXE224HE125 | SLE118H110 |
|-----------------------------|---|---|--|--|--|
| Motor | Briggs & Stratton Powerbuild 3130 6,2 kW 2550 min ⁻¹ | Briggs & Stratton INTEK Series 4175 8,6 kW 2450 min ⁻¹ | Briggs & Stratton INTEK Series 7220 11,7 kW 2450 min ⁻¹ | Briggs & Stratton INTEK Series 8240 14,4 kW 2900 min ⁻¹ | Briggs & Stratton INTEK Series 4175 10,0 kW 2900 min ⁻¹ |
| Motorstart | Elektrostart | | | | |
| Batterie | 12 V / 17 Ah | | | | |
| Tankinhalt | 8 l | | | | |
| Kraftstoff | Bleifreies Normalbenzin 91 ROZ | | | | |
| Schnittbreite | 95 cm | 105 cm | 105 cm | 125 cm | 110 cm |
| Schnitthöhe | 30 – 90 mm (7x) | | | | |
| Kleinster Mähkreis | 150 cm | 140 cm | 140 cm | 140 cm | 140 cm |
| Beleuchtung | 12 V / 10 W | | | | |
| Geschwindigkeit | stufenlos regulierbar | | | | |
| ■ Vorwärtsgang | 0 – 9 km/h | | 0 – 11 km/h | | 0 – 9 km/h |
| ■ Rückwärtsgang | 0 – 4 km/h | | 0 – 5 km/h | | 0 – 4 km/h |
| Luftreifen | | | | | |
| ■ vorne | 15 x 6.00-6 | 16 x 6.50-6 | 16 x 6.50-8 | 16 x 6.50-8 | 15 x 6.00-6 |
| ■ hinten | 20 x 10.00-8 | 20 x 10.00-8 | 23 x 10.50-12 | 23 x 10.50-12 | 20 x 10.00-8 |
| ■ Reifendruck | 0,9-1,0 bar | | | | |
| Fangvolumen Grasfangsack | 310 l | 310 l | 310 l | 310 l | – |
| Gesamtgewicht (netto) | 247 kg | 256 kg | 279 kg | 309 kg | 230 kg |
| Abmessungen |  | | | | |
| ■ a1 (mit Box) | 251 cm | 251 cm | 251 cm | 251 cm | – |
| ■ a2 (ohne Box) | 210 cm | 210 cm | 210 cm | 210 cm | 194 cm |
| ■ b | 117 cm | 117 cm | 117 cm | 117 cm | 117 cm |
| ■ c | 100 cm | 110 cm | 110 cm | 130 cm | 115 cm |

| Typ | SXE213H95 | SXE218HE105 | SXE222HE105 | SXE224HE125 | SLE118H110 |
|---|---|-------------|-------------|-------------|------------|
| Schwingungswerte (ahw)* (Ganzkörperschwingung/Hand-Arm Schwingung) | 2 m/s ² / 4 m/s ² K = 2 m/s ² | | | | |
| Schalldruckpegel am Arbeitsplatz (L _{PA}) gemäß Richtlinie EN ISO 5395-1 / 5395-3 | 90 dB(A) K = 2 dB(A) | | | | |
| Max. Schalldruckpegel (L _{PA,d}) gemäß Richtlinie DIN EN ISO 4871 | 92 dB(A) | | | | |
| Schallleistungspegel (L _{WA,d}) gemäß Richtlinie DIN EN ISO 4871 | 100 dB(A) | 100 dB(A) | 100 dB(A) | 105 dB(A) | 100 dB(A) |

*Gewichteter Effektivwert der Beschleunigung, der der Körper ausgesetzt ist. Die Werte wurden gemäß Richtlinie 2006/42/EG ermittelt.

2 EG-KONFORMITÄTSERKLÄRUNG

Hiermit erklären wir in alleiniger Verantwortung, dass dieses Produkt, in der von uns in Verkehr gebrachten Ausführung, den Anforderungen der harmonisierten EG-Richtlinien, EG-Sicherheitsstandards und den produktspezifischen Standards entspricht.

Produkt
Rasentraktor

Seriennummer
1A14-045601 - 9L31-999999

Typ
SXE213H95 (95 cm)
SXE218HE105 (105 cm)
SXE222HE105 (105 cm)
SXE224HE125 (125 cm)
SLE118H110 (110 cm)
SLE122H110 (110 cm)

Schalleistungspegel

EN ISO 3744
gemessen / garantiert
SXE213H95 (95 cm)
99 / 100 dB(A)
SXE218HE105 (105 cm)
99 / 100 dB(A)
SXE222HE105 (105 cm)
99 / 100 dB(A)
SXE224HE125 (125 cm)
104 / 105 dB(A)
SLE118H110 (110 cm)
99 / 100 dB(A)
SLE122H110 (110 cm)
99 / 100 dB(A)

Hersteller
ISEKI France S.A.S
Zac des Ribes
27 avenue des Frères Montgolfier
63170 Aubière

EG-Richtlinien
2006/42/EG
2014/30/EU
2000/14/EG

Konformitätsbewertung
2000 /14/EG
Anhang VIII

Benannte Stelle
(2000/14/EG)
TÜV Industrieservice GmbH
TÜV Süd Gruppe
Westendstraße 199
80686 MUENCHEN
DEUTSCHLAND

**Dokumentations-
bevollmächtigter**
Kazuya Tani
Zac des Ribes
27 avenue des Frères Montgolfier
63170 Aubière

Harmonisierte Normen
EN ISO 5395-1:2013 +A1:2018
EN ISO 5395-3:2013 +A1:2017
+A2:2018
EN ISO 14982:2009

Aubière, 13.12.2022



Kazuya Tani, President







ISEKI France S.A.S.
27, avenue des Frères Montgolfier
63170 Aubière
www.iseki.fr