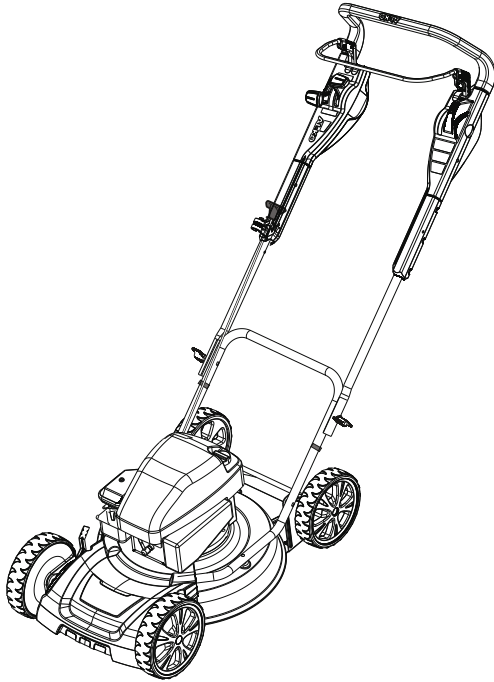


**AL-KO**  
QUALITY FOR LIFE



POWERLINE



CE DXXXXX

